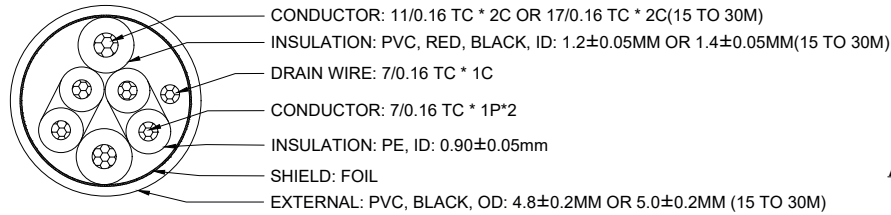
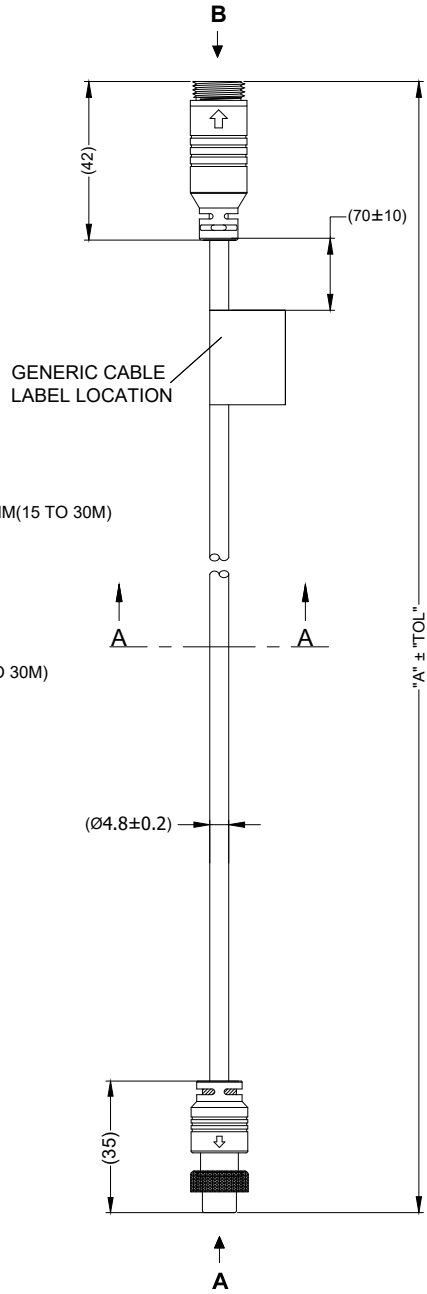


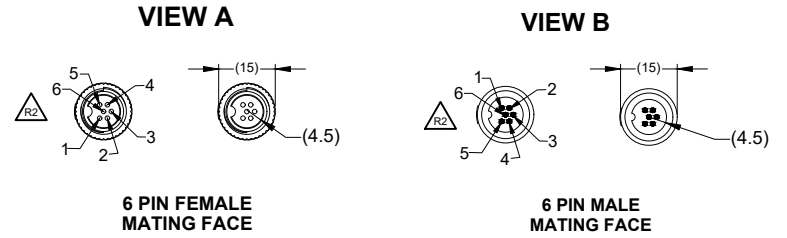
MODEL NO.	PART NO.	LENGTH (A)	TOLERANCE (TOL)
IP-L630	5984	30M	± 200MM
IP-L620	5983	20M	± 150MM
IP-L615	5904	15M	± 150MM
IP-L610	5982	10M	± 100MM
IP-L605	5903	5M	± 80MM
IP-L603	5902	3M	± 80MM
IP-L601	5867	1M	± 20MM



VIEW A-A
CABLE BUILDUP



Revision Notes.				
R1 - MODEL NAME CORRECTION TO IP-L6XX AS PER CR-A739.				
APA: UELI XU	Drawn:A. KEBEDE	Checked:S. ZHANG	Approved:L. PILLAY	Date: 06/05/2020
R2 - PIN CORRECTION AS PER CR-A1145. UPDATE NEW FRAME.				
APA: SHAUN YANG	Drawn:L. CHEUNG	Checked:P. BU	Approved:S. ZHANG	Date: 01/04/2025

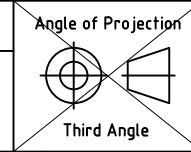


PIN #	WIRE COLOUR	DESCRIPTION
1	ORANGE	TX-
2	WHITE	TX+
3	RED	+12V
4	GREEN	RX-
5	YELLOW	RX+
6	BLACK	GND

PIN #	WIRE COLOUR	DESCRIPTION
1	ORANGE	TX-
2	WHITE	TX+
3	RED	+12V
4	GREEN	RX-
5	YELLOW	RX+
6	BLACK	GND

- NOTES:**
- INTERNAL CABLES SHOULD BE ONE CONTINUOUS LENGTH BETWEEN CONNECTORS.
 - CABLE TO BE PROVIDED IN A SUITABLE ADEQUATELY SIZED BAG WITH GIFTBOX LABEL AFFIXED TO THE CENTRE.
 - TX+ AND TX-, RX+ AND RX- ARE TWISTED PAIRS, TWIST PITCH IS 15MM±3MM.

PROPRIETARY NOTICE
 THIS DESIGN AND TECHNICAL INFORMATION APPEARING ON THIS DRAWING IS THE PROPERTY OF BRIGADE ELECTRONICS, AND IS DISCLOSED IN CONFIDENCE. IT IS NOT TO BE COPIED, REPRODUCED, REVEALED TO OR EXPROPRIATED BY OTHERS, EITHER IN WHOLE OR IN PART WITHOUT THE EXPRESS WRITTEN CONSENT OF BRIGADE ELECTRONICS.



Sheet 1 of 1	Assembly Pl Approval CAROL LI	Approved by L. PILLAY	Checked by J. TYRRELL	Drawn by A. KEBEDE
Customer Approval -	Units mm		Scale N/A	Released 20/01/20
Status RELEASED		Assembly Ref -		
Part No VARIOUS		IP-L6XX-SERIES CABLES BE-004269-02-19		